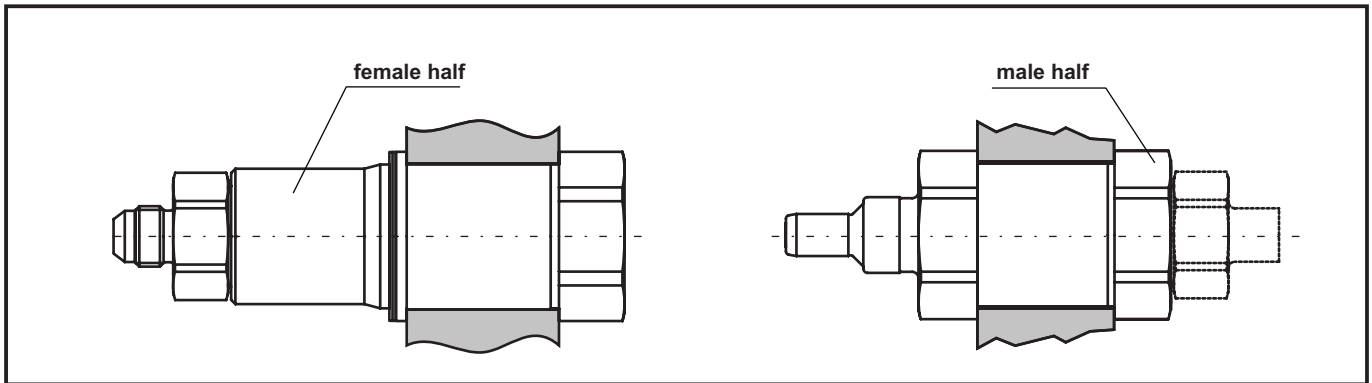


**Stabplate
elements
SERIES OM
Z04**

**Shallow water
applications
1000 m/ 3000 ''
water depth**



Seal coupling elements for shallow water systems



Features:

- Resilient seals either FKM (Viton) for hydraulic lines or FFKM for chemical injection lines
- Working pressure 690 bar/10000 psi to ISO 13628-6
- Connects and disconnects at any pressure combination, top side or sub sea to 1000 m water depth
- Very low connection forces
- Large choice of end connections
- External pressure resistant valves on request to avoid seawater intrusion
- Venting valves on request
- Male half with rear plate mounting capability

Materials:

ss 316L and duplex; Seals: FKM or FFKM

Size 3/8" – 1/4"

	p/n	end connection (example)	total length	plate bore	largest od	Cv
female half	OM-006-0-LH014-AAAG-Z03	JIC # 6	120,8	34,5	40,0	0,7
male half	OM-006-2-XX01-AAAH-Z04	Autoclave 3/8" MP	122,2	34,5	40,0	

Size 1/2"

	p/n	end connection (example)	total length	plate bore	largest od	Cv
female half	OM-010-0-LH019-AAAA-Z03	JIC # 8	147,5	46,5	55,5	2,1
male half	OM-006-2-XX01-AAAB-Z04	Autoclave 1/2" MP	139,4	46,5	55,5	

Size 1" – 3/4"

	p/n	end connection (example)	total length	plate bore	largest od	Cv
female half	OM-016-0-LH027-AAAB-Z03	JIC # 12	162,2	52,5	61,3	6,0
male half	OM-016-2-XX01-AAAM-Z0?	Autoclave 3/4" MP	161,7	52,5	61,3	

Carl Kurt Walther GmbH & Co. KG

Westfalenstraße 2
P.O. Box 420444

Tel. +49(0) 21 29 / 5 67-0

Fax +49(0) 21 29 / 5 67-450

D-42781 Haan

D-42404 Haan

E-Mail: info@walther-praezision.de

Internet: www.walther-praezision.de

