

**Manual stab plates
for work over and
intervention systems**



Cam action with individual coupler locking for top side mounting

E.g. WALTHER type 90715

This type can be populated with up to:

34 self sealing coupling units type HP-006, 3/8" size, 69 Mpa (10,000psi) working pressure each

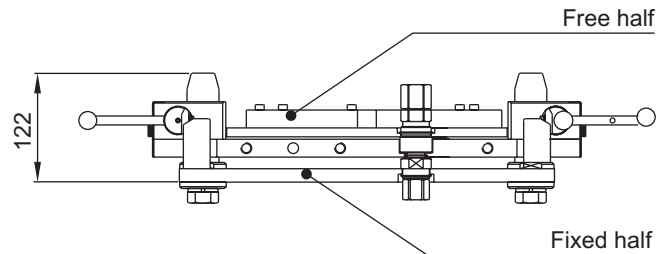
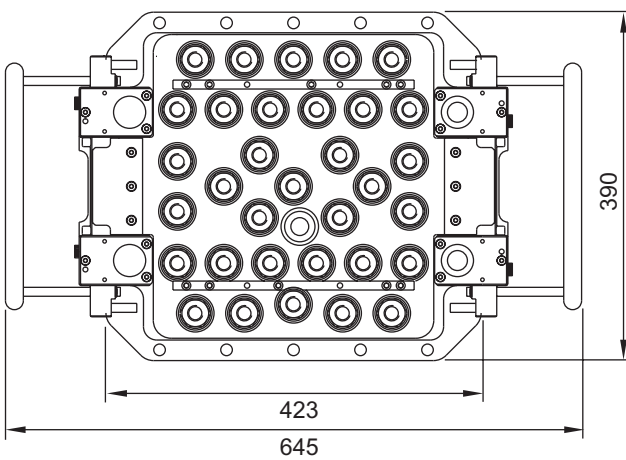
Advantages:

- Fast operation and time saving when hooking up work over reels or other systems
- Highest population possibility with no increase in plate thickness and weight (handling!)
- Line pressure and pressure combinations do not influence performance and integrity of stab plate system
- Safe connection of lines - wrong combinations are mechanically excluded
- Connectable with residual pressures

Materials: SS 1.4404 (AISI 316L), 1.4418 (F6Nm) or Nitronic 50, bearings bronze

Seals: FPM, or FFKM if required

*Other populations, elements and materials and related information on request.



Cam action with toggle mechanism

E.g. WALTHER type 90735

This type can be populated with up to:

7 Self sealing coupling elements, type OM-006*, 3/8" size, 69 Mpa (10,000 psi) working pressure each

1 Self sealing coupling element, OM-010*, 1/2" size, 69 Mpa (10,000 psi) working pressure each

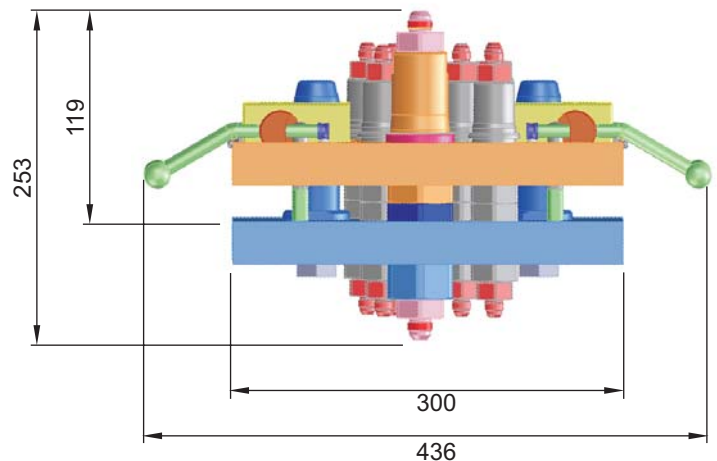
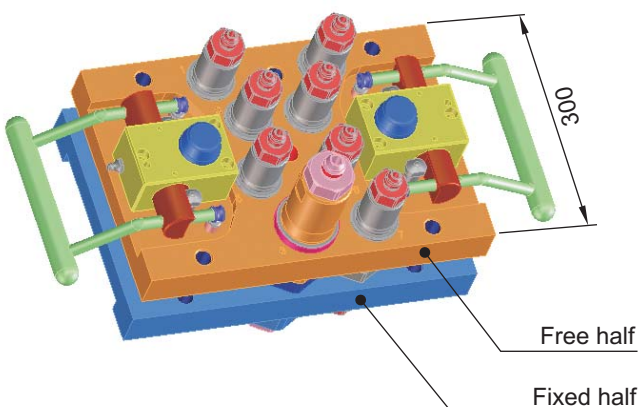
Advantages:

- Fastest operation and time saving when hooking up work over reels or other systems
- Simplified design with fewer components
- Very cost efficient
- Safe connection of lines - wrong combinations are mechanically excluded
- Connectable with residual pressures

Materials: SS 1.4404 (AISI 316L), 1.4301 (AISI 304), bearings bronze

Seals: FPM, or FFKM if required

*Other populations, elements and materials and related information on request.



Swing bolt lock

E.g. WALTHER type 91553

This type can be populated with up to:

- 9 Self sealing coupling elements, Type HP-006, 3/8" size, 69 Mpa (10,000 psi) working pressure
- 6 Self sealing coupling elements, Type HP-006, 3/8" size, 34,5 Mpa (5,000 psi) working pressure
- 1 Self sealing coupling elements, Type HP-010, 1/2" size, 34,5 Mpa (5,000 psi) working pressure

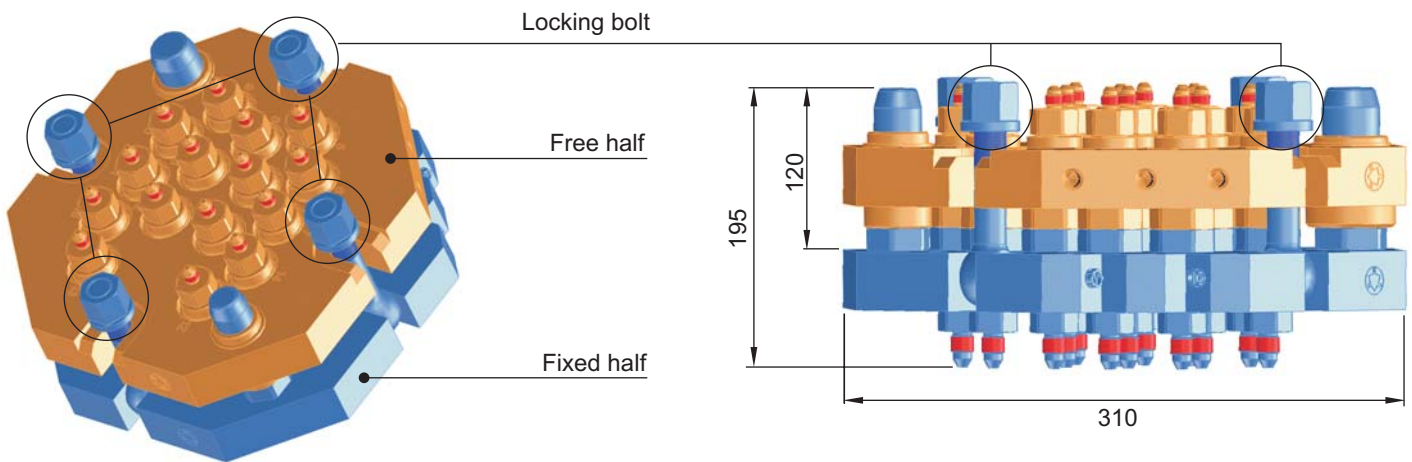
Advantages:

- Simple design with few components
- Low cost option
- Locking bolts outside of hose bundle = easily accessible

Materials: SS 1.4404 (AISI 316L), 1.4301 (AISI 304)

Seals: FPM, or FFKM if required

*Other populations, elements and materials and related information on request.



Central screw lock

E.g. WALTHER type 91579

This type can be populated with up to:

- 3 Self sealing coupling elements, Type HP-006, 3/8" size, 69 Mpa (10,000 psi) working pressure
- 5 Self sealing coupling elements, Type HP-006, 3/8" size, 21 Mpa (3,000 psi) working pressure
- 2 Self sealing coupling elements, Type HP-010, 1/2" size, 21 Mpa (3,000 psi) working pressure
- 1 Self sealing coupling elements, Type HP-010, 1/2" size, 69 Mpa (1,0000 psi) working pressure

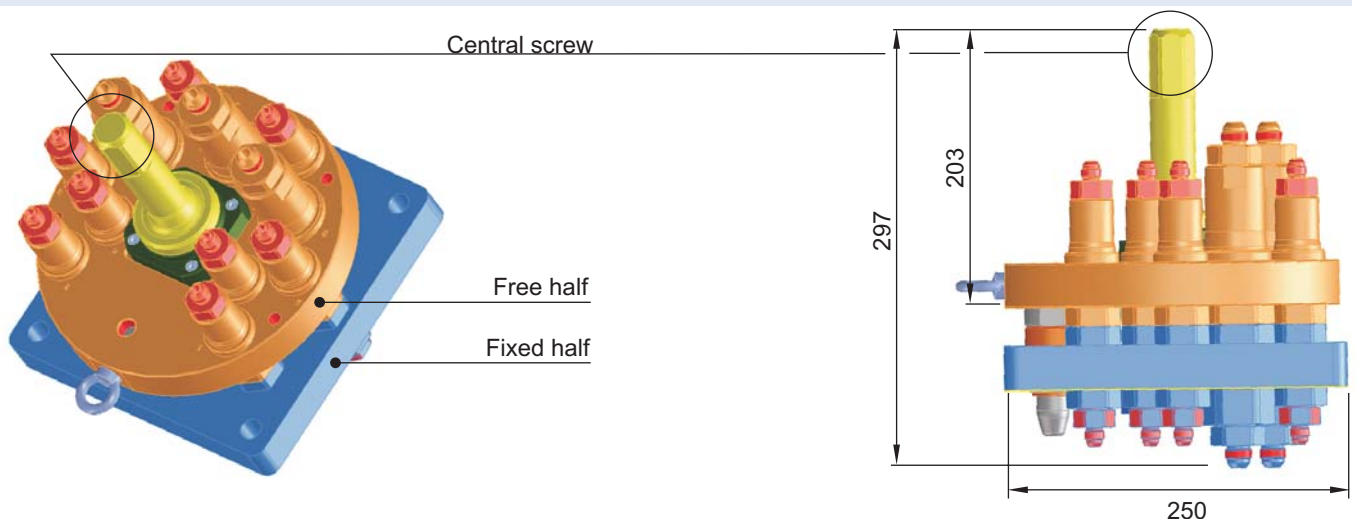
Advantages:

- Lowest price option
- Simple design with fewest components
- Compact size

Materials: SS 1.4404 (AISI 316L), 1.4301 (AISI 304), locking nut bronze

Seals: FPM, or FFKM if required

*Other populations, elements and materials and related information on request.



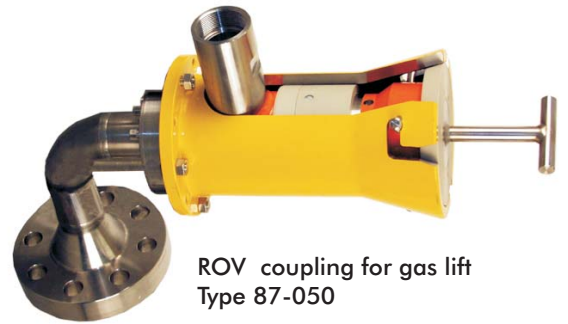
Special designs for Offshore Couplings



Elements for
plate mounting
Series OM



Elements for
cavity mounting
Type 84-006



ROV coupling for gas lift
Type 87-050



Workover Stabplates
Type 91553



Emergency Disconnect Unit
Type 91559



ROV stab plates
Type 91561
also available with HFL, fully assembled

Wka • 12/2010

WALTHER-PRÄZISION Carl Kurt Walther GmbH & Co. KG

Hausadresse / Head office:

Westfalenstraße 2
42781 Haan, Germany

Telefon: +49 (0) 21 29 567-0
Telefax: +49 (0) 21 29 567-450

Postadresse / Postal address:

Postfach 420444
42404 Haan, Germany

eMail: info@walther-praezision.de
Internet: www.walther-praezision.de



Choose the Original
Choose Success!